

PV MC4 Connector User Manual



Dongguan MayWah Electronics Co., Ltd.

Tel.: 0086-769-89874285/82585619

Add.: Room 305, Floor 3, Bldg. A, Jufeng Decheng Ind. Zone,

No. 319, Yilong Road, Jinxia Community, Chang'an Town,

Dongguan City, Guangdong Province, China

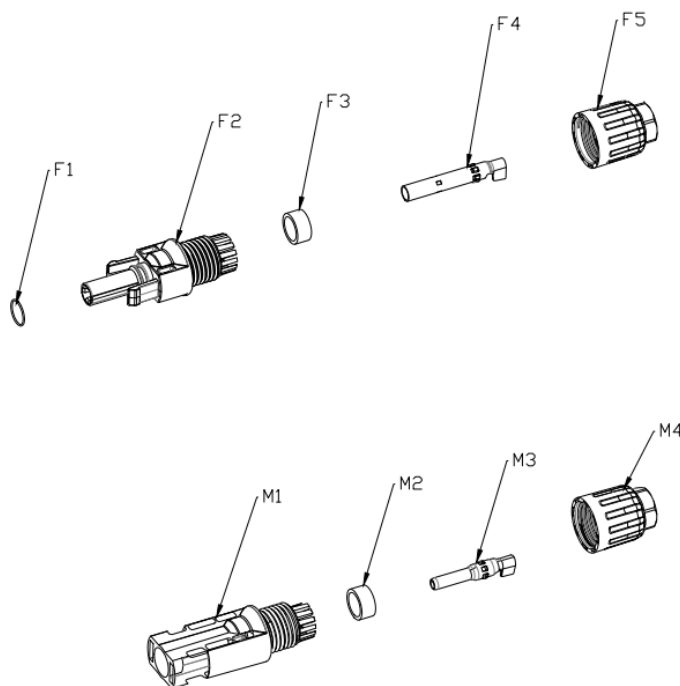
1. Product Structure:

PV-MC is a connecting parts for solar panel circuits, which can connect various circuits safely and quickly. It with dustproof, waterproof, aging resistance, UV endurance, small&light, easy connection, safety and long life time features and so on.

PV-MC with self-locking structure, one set include the following parts:

- Insulation plastic: PPO
- Waterproof colloid: Silica gel
- Conductor material: Copper tin plating

Exploded views like below:



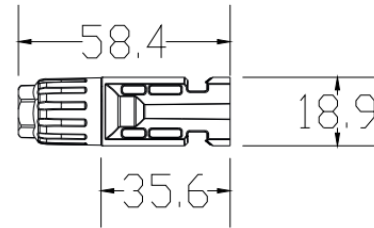
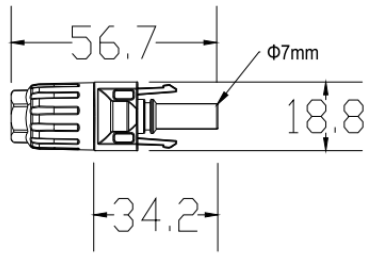
Remarks:

F1:O waterproof ring F2:Female body F3: Cylindrical waterproof glue

F4: Female conductor F5:nut

M1:Male body M2: Cylindrical waterproof glue M3: Male conductor M4:nut

2. Product size drawing:



Remark:

Unit: mm

3. Parameter:

Connector system	Φ4mm
Rated Voltage	1000V
Rated current	1.5mm ² : 17A 2.5mm ² :22.5A 4mm ² ~6mm ² : 30A
Temperature range	-40℃~90℃
Waterproof class	Insertion: IP68; Non-insertion: IP2X
Contact resistance	≤0.35m Ω
Safety class	DC II
Connected system	multipoint connection
Wiring	crimping
Conductor	Copper tin plating
Insulation material	PPO
Self-locking system	Embedded
Flame class	UL94-V0

4. Installation

1. Check if the accessories are ready:



2. Wire stripping 6mm-7mm, careful not to cut off the wire:



3. crimping, press all copper wire into the copper connector:



4. Insert the cable with copper conductor into the connector body:



5. Tighten the nut and be careful not to tilt:



6. The male and female completes the butt joint:

